

I) Fill in the blanks :

- 1) The standard unit of mass is _____.
- 2) There are _____ seconds in 2 minutes.
- 3) The cost of 5 pens is ₹ 60, What is the cost of one pen ?
_____.
- 4) Area of a square is given by _____.
- 5) A _____ has two end points.
- 6) The place value of a digit becomes _____ when the digit moves from left to right.
- 7) 0000hrs is _____ in the 12 hour clock time.
- 8) _____ is the standard unit for measuring length.
- 9) The cost of 1kg apples is SR6, and then 6 kg apples cost SR_____.
- 10) The perimeter of a rectangle is given by _____.
- 11) To convert minutes to hours, we _____ the minutes by 60.
- 12) A _____ has one end point.
- 13) The numeral for six hundredths is _____.
- 14) There are _____ hours in one day.
- 15) The _____ of a rectangle is given by $l \times b$.
- 16) 9 min = _____ seconds.
- 17) Price of 1 article = price of a given number of articles \div _____
- 18) A point placed between the ones place and the one -tenths place is called the _____ point.
- 19) Perimeter of a square is given by $4 \times$ _____.
- 20) 5 km = _____ m.
- 21) A _____ has no end points.
- 22) The minute hand takes _____ minute to move from one number to another number on the clock.
- 23) The sum of the length of the line segments enclosing a figure is the _____ of the figure.

- 24) The standard unit for measuring capacity is _____.
- 25) An exact location represents a _____.
- 26) Half an hour is equal to _____ minutes.
- 27) 4.5 is read as four and five _____.
- 28) 7cm = _____ mm.
- 29) The time between midnight and noon is called _____.
- 30) _____ is the amount of surface occupied by an object.
- 31) A _____ is a fraction whose denominator is 10 or power of ten.
- 32) Price of a number of articles is equal to the price of _____ articles multiplied by the number of articles.
- 33) 10pm refers to 10 O' clock in the _____.
- 34) There are _____ millimeters in one centimeter.
- 35) The perimeter of a square of side 2cm is _____.
- 36) 16 l = _____ ml.
- 37) A line has _____ length.
- 38) $\frac{15}{100}$ = _____ [decimal]
- 39) A _____ is represented by a dot.
- 40) The time between noon and midnight is called _____.

II) Choose the correct answer :

- Quarter past five is written as
a) $5\frac{1}{4}$ b) 5:15 c) 15:5
- Perimeter of a rectangle of sides 3cm & 4cm is
b) 14cm b) 12cm c) 14 sq.cm
- A _____ has definite length.
a) Ray b) Line c) Line segment
- 5.7 is
a) $\frac{57}{10}$ b) $\frac{57}{100}$ c) $\frac{5}{7}$
- 12m = _____ cm
a) 120 b) 1200 c) 12000
- The cost of 5 books is ₹ 550. One book costs
a) ₹ 11 b) ₹ 10 c) ₹ 110

7. 1 hour after midnight is
a) 1a.m b) 1 p.m c) 1300hrs.
8. The numeral for five thousandths is
a) 0.005 b) 0.05 c) 5000
9. Standard unit for measuring length is
a) centimeter b) meter c) kilometer
10. Perimeter of a triangle of sides 2cm, 3cm, 4cm
a) 24cm b) 9sq.cm c) 9cm
11. If cost of a pencil is ₹ 4, a dozen pencils will cost _____
a) ₹ 48 b) ₹ 40 c) ₹ 50
12. A _____ can be extended on one side.
a) Line b) Ray c) Line segment
13. 3:45 pm is _____ hrs in the 24hour clock.
a) 0345hrs b) 345hrs c) 1545 hrs
14. 15cm = _____ mm
a) 1500 b) 150 c) 15
15. The area of a square of side 9cm is
a) 18cm b) 81cm c) 81sq.cm
16. $\frac{149}{100}$ is written in decimal as
a) 14.9 b) 1.49 c) 0.149
17. There are _____ hours in 3 days
a) 72 b) 96 c) 48
18. 9Kg = _____ g
a) 90 b) 9000 c) 900
19. Perimeter of a square is given by
a) $l \times b$ b) side \times side c) $4 \times$ side
20. 2020hrs is _____ in the 12 hour clock time.
a) 8:20 pm b) 8:20 pm c) 10:20pm
21. The _____ hand of the clock makes one full rotation of the clock in 60 seconds.
a) seconds b) minutes c) hour
22. Six point zero zero eight is _____
a) 0.0068 b) 6.08 c) 6.008

III) Do the following :

1. Draw line segments of length.
a) 5cm b) 6.5cm c) 8cm
2. Change the fractions into decimals.
a) $\frac{2509}{100}$ b) $\frac{12}{1000}$ c) $\frac{3501}{100}$
3. Change into minutes.
a) 12hrs b) 9hrs c) 6hrs 15minutes
d) 7200sec e) 180sec f) 540sec
4. Find the perimeter of :
a) A rectangle l=12 cm b=9cm
b) A square of side 8cm
c) A triangle of sides 15cm, 9cm and 10cm
5. Convert the following :
a) 15kg 250g to grams.
b) 5060ml to litres and ml.
c) 7cm 5mm to millimeters.
d) 444cm to meters and cm.
e) 9km 14m to meters.
6. Convert the time to 12 hour clock :-
a) 0830 hrs
b) 2145 hrs
c) 0015 hrs
d) 1205 hrs
e) 1555 hrs
7. Write as common fractions :
a) 0.45
b) 13.09
c) 6.007
d) 5.1
e) 0.352
8. Change into hours and minutes :
a) 445min b) 750min c) 1800min
9. Find the area of the following :
a) Square of side 11cm
b) Rectangle of length =7m, breadth = 6m
c) Square of side 24m.
d) Rectangle of length = 15cm, breadth = 9cm

10. Change into seconds :

- a) 6min 36sec.
- b) 15min
- c) 9min 19sec.
- d) 4min 25sec.

11. Add the following :

$\begin{array}{r} 105.27 \\ + 31.06 \\ \hline 0.978 \end{array}$	$\begin{array}{r} \text{kg.g} \\ 17.450 \\ 123.075 \end{array}$	$\begin{array}{r} \text{m.cm} \\ 19.16 \\ 24.95 \end{array}$

12. Write as mixed numerals :

- a) 6.935 b) 13.25 c) 1.05 d) 8.5

13. Convert to 24hour clock :

- a) 6:45pm b) 12:50am c) 12:35pm
- d) 11:05 am e) 10:15pm f) 4:10am

14. Find the difference :

$\begin{array}{r} \text{a) } 35.008 \\ - 16.349 \\ \hline \end{array}$	$\begin{array}{r} \text{b) } \text{Km m} \\ 14.067 \\ - 9.123 \\ \hline \end{array}$	$\begin{array}{r} \text{c) } \text{Km m} \\ 50.00 \\ - 9.75 \\ \hline \end{array}$
$\begin{array}{r} \text{d) } 109.65 \\ - 84.013 \\ \hline \end{array}$	$\begin{array}{r} \text{e) } \text{Kg g} \\ 51.678 \\ - 23.456 \\ \hline \end{array}$	$\begin{array}{r} \text{f) } \text{l ml} \\ 212.509 \\ - 109.732 \\ \hline \end{array}$

15. Write as morning times :

- a) Nine thirty.
- b) Three quarters past 3.
- c) Half past seven.
- d) Quarter past 9.

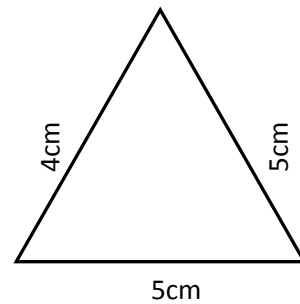
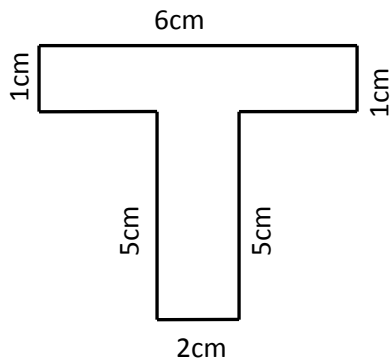
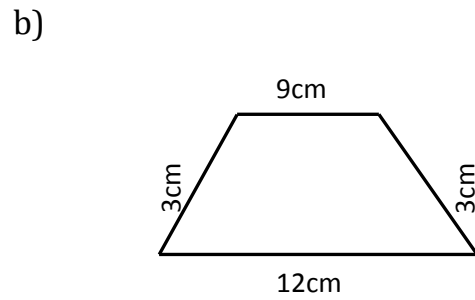
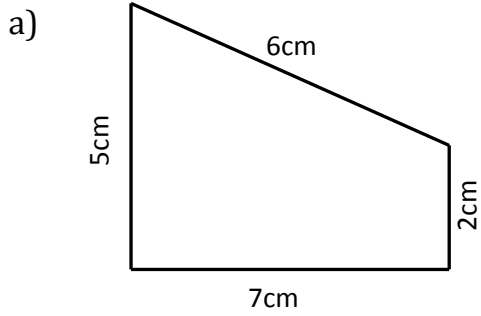
16. Write as evening time :

- a) Five minutes past 11.
- b) Quarter past eight.
- c) Half past 10.

17. Find the product of :

$\begin{array}{r} \text{a) } \text{Km m} \\ 3 \quad 450 \\ \times \quad \quad 6 \\ \hline \end{array}$	$\begin{array}{r} \text{b) } \text{Km m} \\ 2 \quad 74 \\ \times \quad \quad 9 \\ \hline \end{array}$	$\begin{array}{r} \text{c) } \text{l ml} \\ 16 \quad 012 \\ \times \quad \quad 8 \\ \hline \end{array}$

18. Find the perimeter of the given figures :



19. Measure and write the length of the given line segments :

A _____ B

P _____ Q

20. Find the solution :

1. The cost of a kilogram of oranges is SR 7. What is the cost of 16kg oranges?
2. One side of a square plot measures 125m. Find its area and perimeter.
3. The annual fee of a student is ₹ 16800. What is the monthly fee of the student?
4. Rani wanted to frame a picture of length 18cm and breadth 16cm. What will be the perimeter of the frame.
5. I can read 75 pages in 3 days. How many pages can I read in one day ?
6. The length of a room is 14m and breadth is 8m. Find the area of the room.
7. A dozen mangoes weigh 3600gm. What is the weight of one mango?
8. What is the length of a wire required to fence a square field in which each side is of length 65m.
