

--	--	--	--	--

Time : 1½ hrs**AUTOMOBILE****Subject Code**

H	4	0	7	2
---	---	---	---	---

Total No. of Questions : 41 (Printed Pages : 8)**Maximum Marks : 40**

INSTRUCTIONS : (i) Write the question number and sub-question number clearly.

(ii) All questions are compulsory.

(iii) Figures to the right indicate full marks.

Select and write the most appropriate alternative given below each statement and rewrite the complete statement. 1/2×6=3

1. The thought which develops a mindset to think without limit is

- Suspicious thought
- Negative thought
- Expansive thought
- Positive thought

2. The word used to express the emotion is

- Preposition
- Conjunction
- Adjective
- Interjection

3. The sentence which ends with a question mark is kind of sentence.

- Interrogative
- Declarative
- Imperative
- Exclamatory

4. In entrepreneurial success, upgrading to latest technology is

- Decisiveness
- Adaptability
- Initiative
- Perseverance

5. Horticulturist is the example of green job roles in

- Water conservation
- Organic gardening
- Green tourism
- Green transportation

6. The three types of personality disorders are anxious, emotional and

- Believable
- Confident
- Convinced
- Suspicious

Answer the following questions.

2×2=4

7. State any *two* advantages of spreadsheets in I.C.T.
8. Mention any *two* roles of green jobs in support adaptation to effects of climate change.

Answer the following in *one* sentence each.

1×3=3

9. Define active listening in communication skills.
10. Why the manufacturer develops service manual ?
11. What will happen if jumper wire connects across the terminals of the battery ?

Compare the co-ordination in first pair and complete the second pair in the choices given below.

1/2 × 2=1

12. He speaks too slowly.

Slowly : Adverb

Speaks :

- Pronoun
- Adjective
- Verb
- Noun

13. Leadership and motivational skill : Organizing skill

Handle difficulties and tension : _____

- Stress Management
- Money Management
- Social Management
- Physical Management

Give single term for the following definitions from the choices given below. 1/2×2=1

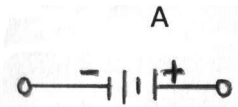
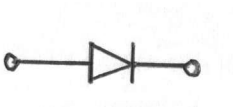
14. The device used to protect the electrical equipment and circuit against the effect of excessive current.

- Alternator
- Starter Motor
- Solenoid
- Fuse

15. The instrument may be considered as a very fast reacting voltmeter that reads and displays voltages.

- Stethoscope
- Oscilloscope
- Tachometer
- Hydrometer

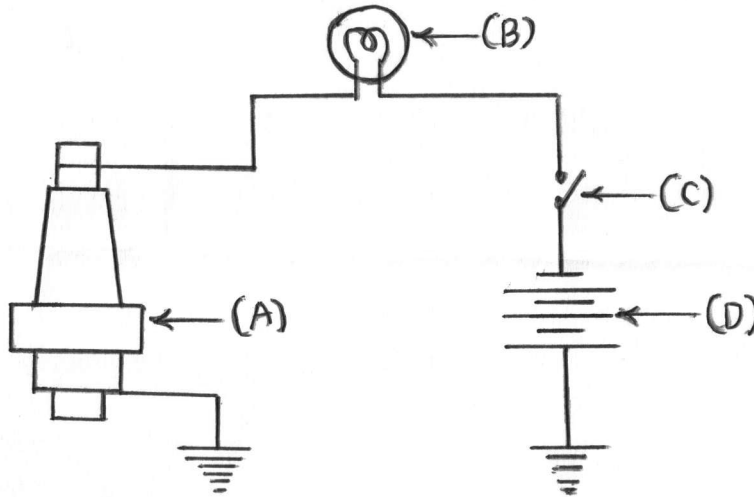
16. Match the following items in column A with correct items in column B. 1/2 × 2 = 1

	‘A’	‘B’
(i)		(a) voltmeter
(ii)		(b) diode
		(c) fuse
		(d) battery.

Answer the following questions.

2×2=4

17. Identify the components in given below diagram.



18. Write any *four* general precautions to be followed while handling the battery.

Answer the following questions in *one* line.

1×3=3

19. List any *two* sources of motivation.

20. List any *two* areas covered by service manual of an automobile.

21. Write any *two* types of automatic transmission.

Select and write the most appropriate alternative given below each statement and rewrite the complete statement.

1/2×6=3

22. If oil spills on the clutch plate can be experienced while driving.

- Clutch judder
- Clutch slip
- Clutch driving
- Clutch jerk

23. Receiving control signal from ECM is done by part of automobile.

- Processors
- Actuators
- Sensors
- Throttle body

24. The propeller shaft of the vehicle always runs noisy due to

- Hollow
- Rigidity
- Bent
- Balanced

25. Oxygen sensor is mounted on

- Intake manifold
- Exhaust manifold
- Firewall
- Cylinder head

26. Butterfly valve of throttle body is cleaned with the help of

- Water
- Kerosene
- Grease
- Carbo cleaner

27. During valve lapping paste is used.

- Abrasive
- Adhesive
- Corrosive
- Grease

Answer the following questions.

2×2=4

28. Write any *two* important functions of suspension system in automobile.

29. Write any *four* actuators used in M.P.F.I. engine.

Answer the following questions.

1×3=3

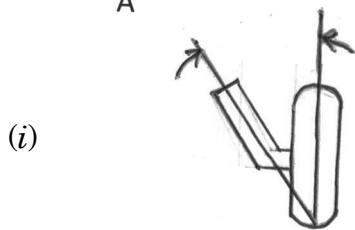
30. State any *two* valve reconditioning operations.

31. Name the component which replaces clutch in automatic transmission.

32. Write the function of Diode in auto electrical.

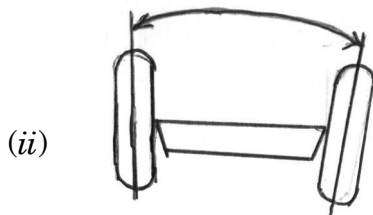
33. Match the following items in column A with correct items in column B and write the correct pair. 1/2×2=1

A



(a) Axle alignment

(b) Castor



(c) Toe out

(d) King pin inclination

State whether the following statements are true or false.

1/2×2=1

34. Engine will take load if combustion gas leaks from the valves.
35. Compression rings of piston controls the supply of oil to the liner.
36. Match the following items in column A and with correct items in column B and write the correct pair. 1/2×2=1

‘A’

‘B’

- | | |
|------------------|--------------------------------|
| (i) Yellow cable | (A) Used for generator circuit |
| (ii) Blue cables | (B) Used for ignition circuit |
| | (C) Used for headlamp circuit |
| | (D) Used for battery circuit |

Answer the following questions.

2×2=4

37. How life of shock absorber is affected ? (Give any *four* points.)
38. Write any *four* commonly used test to find electrical faults in auto vehicle.

Answer the following questions in *one* line each.

1×3=3

39. State the function of shackle in leaf spring.
40. Define backlash in differential.
41. What will happen if baking soda or ammonia enters the battery cells.